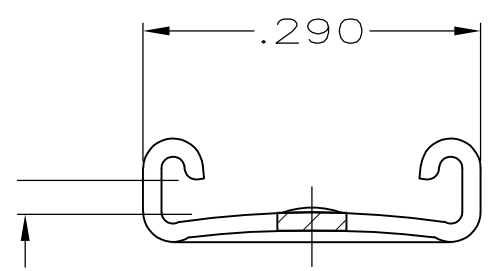
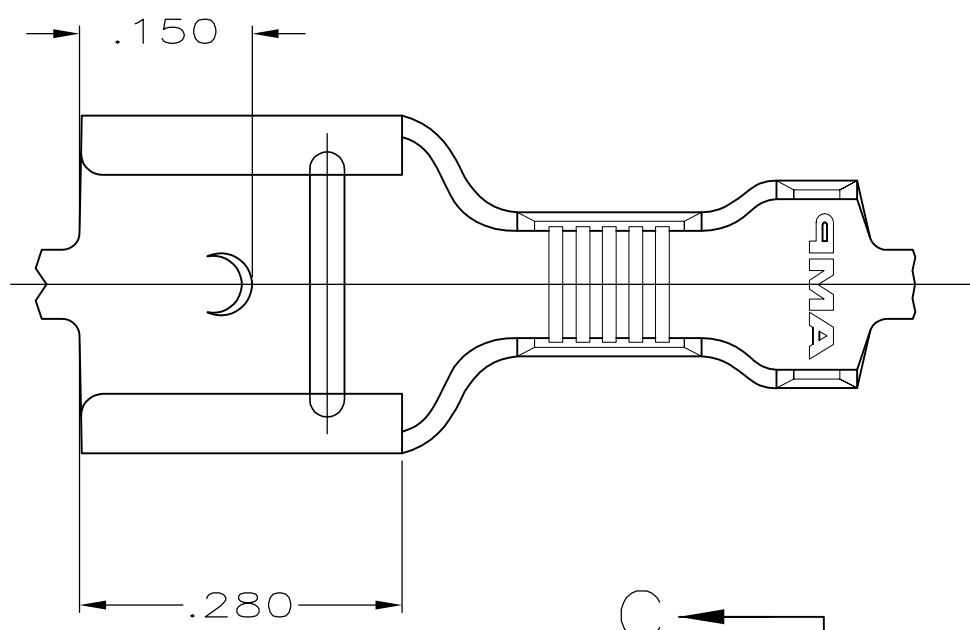
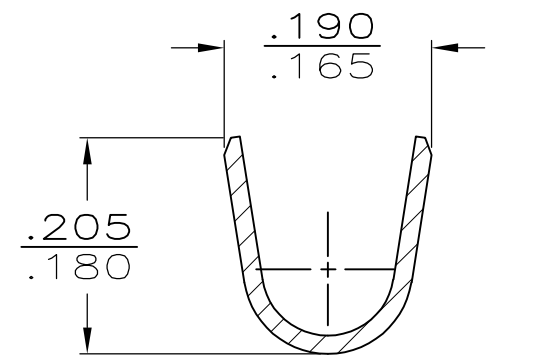
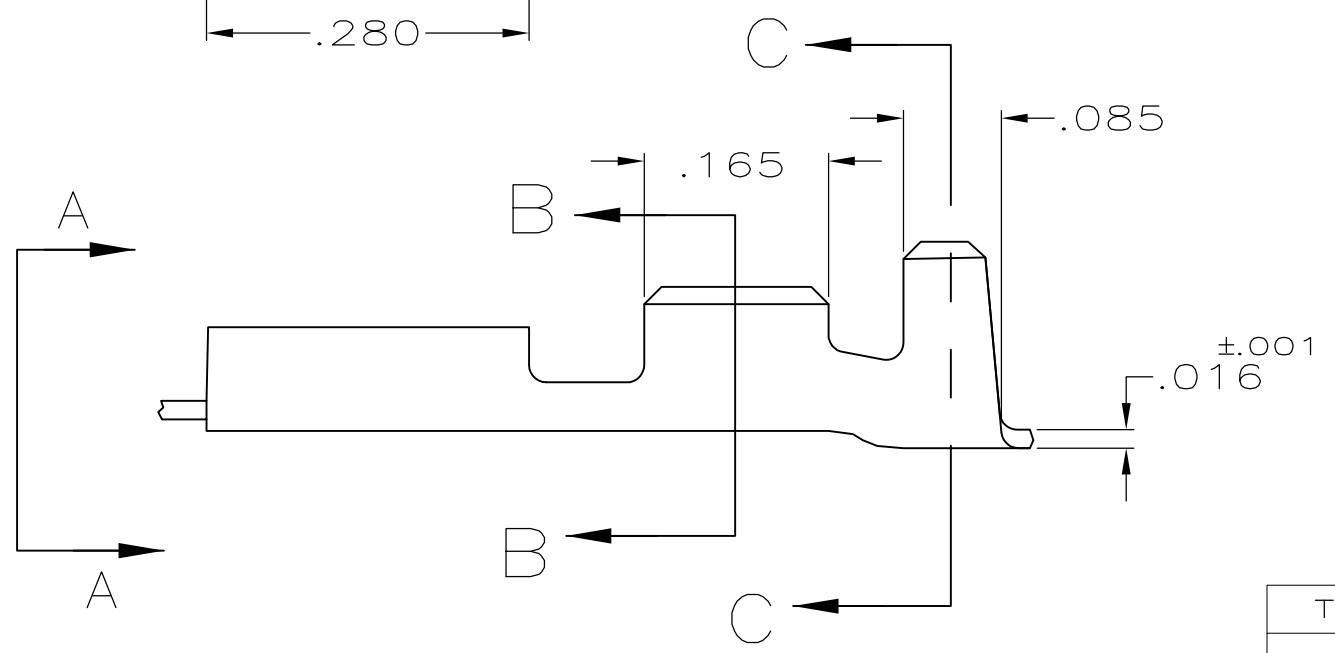


THIS DRAWING IS UNPUBLISHED. RELEASED FOR PUBLICATION
 © COPYRIGHT - By TYCO ELECTRONICS CORPORATION ALL RIGHTS RESERVED.

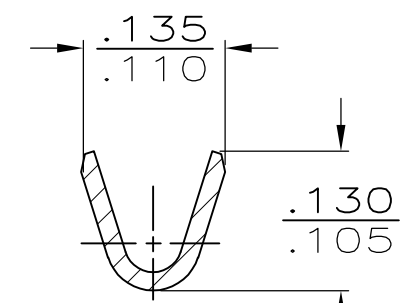
LOC	DIST	REVISIONS					
AF	50	P	LTR	DESCRIPTION	DATE	DWN	APVD
			D	REVISE PER ECR-13-013738	15FEB2014	GRZ	JL



FITS .250 SERIES FASTON TAB
VIEW A-A



SECTION C-C



SECTION B-B

TIN	.100-.140	1000-3000	23-20	20-16	.032	60384-2
-	.100-.140	1000-3000	23-20	20-16	.032	60384-1
FINISH	INSULATION RANGE	CMA	2 MAGNET	1 MAGNET	MATING TAB THK ±.001	PART NUMBER

THIS DRAWING IS A CONTROLLED DOCUMENT.		DWN JR RUTH 5/18/90	TE Connectivity RECEPTACLE, FASTON, AMPLIVAR, .250 SERIES				
DIMENSIONS: INCHES		CHK MS FEHER 5/18/90					NAME
TOLERANCES UNLESS OTHERWISE SPECIFIED:		APVD C MEYERS 5/18/90					PRODUCT SPEC R KUZO 5/18/90
0 PLC ± - 1 PLC ± - 2 PLC ± - 3 PLC ± .015 4 PLC ± - ANGLES ± -		APPLICATION SPEC					RESTRICTED TO
MATERIAL BRASS	FINISH SEE TABLE	WEIGHT -	SIZE A3	CAGE CODE 00779	DRAWING NO C-60384		
CUSTOMER DRAWING			SCALE 6:1	SHEET 1 OF 1	REV D		